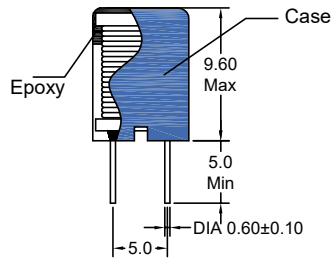


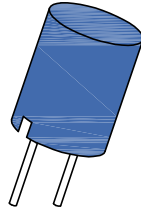
P/N: FALGB0809C-152K



Outline Dimensions(Unit:mm)



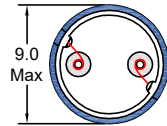
Orthographic view



Stereogram

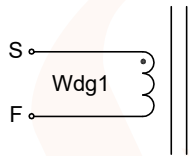


Top view



Bottom view

Electrical Schematic



Electrical Characteristics(@25°C)

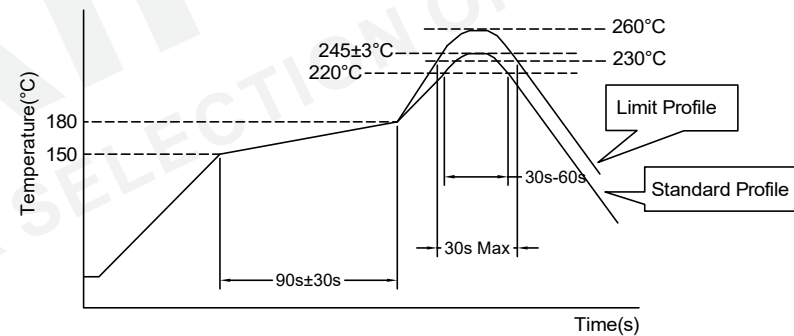
| Inductance<br>1KHz,0.1V<br>S-F | DC Resistor<br>S-F | Rated Current |
|--------------------------------|--------------------|---------------|
| 1500uH±10%                     | 3.50Ω Max          | 210mA         |

\*\*\*Operating Temperature: -40°C~+105°C.  
(Temperature rise included)  
\*\*\*Storage Temperature : -40°C~+105°C.  
\*\*\*Storage Humidity:RH10%~70%.

Material list

| Part Name   | SPEC               | Material Type | Supplier                                  | UL Number |
|-------------|--------------------|---------------|---|-----------|
| Core        | DR2W7*8<br>(B=3.0) | NiZn          | Zhongshan Jiaxin Electronic Co Ltd        | N/A       |
| Case        | TL0809C            | PBT3116       | E I Dupont De Nemours & Co Inc            | E41938    |
| Copper Wire | 2UEW-F             | 155°C         | Elektrisola Hangzhou Co Ltd               | E258243   |
| Epoxy       | 3300A/B            |               | DongGuan Eatto Electronic Material Co Ltd | E218090   |

Recommended Soldering Temperature Graph.



|                  | Standard Profile    | Standard Profile    |
|------------------|---------------------|---------------------|
| Pre-heating      | 150~180°C,90s±30s   |                     |
| Heating          | above 220°C,30s-60s | above 240°C,30s Max |
| Peak temperature | 245°C±3°C           | 260°C,10s           |
| Cycle of reflow  | 2 times             |                     |

|     |             |      |      |   |   |   |  |  |
|-----|-------------|------|------|---|---|---|--|--|
| REV | DESCRIPTION | APPD | DATE | Tianchang Fuan Electronic Co Ltd<br>www.fuantronics.net<br>TEL: +86-550-7814888<br>FAX: +86-550-7831133 | <br>Tolerances unless otherwise specified:<br>(.X)±0.50 (.XX)±0.25<br>Unit of measurement: mm | Make: Qiumei.Liu<br>Checked: Beson. zhan<br>Approved: Anson. zhan | <b>DRAWING TITLE</b><br>THROUGH-HOLE RADIAL<br>ENCAPSULATED POWER INDUCTORS<br>Material Number: A330809CS170 | Customer Name:<br>Document/Rev: 00<br>Specification Sheet: 1 of 1<br>Date of Recognition: Mar./17/2020 |
|-----|-------------|------|------|---|---|---|--|--|